

SANAGUA

we save water



Water is the source of all life. Without water, we, the people, animals and plants on our planet can't survive. Unfortunately, man is very lavish with the precious good. To save water, creative solutions are required. Future-oriented technologies of committed, anticipated people, so that the water resource is also available to future generations. Water means life. We have been looking for technologies that save water efficiently because we want to take responsibility and take care of the water. And we have found a solution: the environmentally friendly SANAGUA faucet technology.

AN IDEA IS BORN



WHY WE DO THIS

On a summer evening we sat together with friends on a garden terrace. We barbecued, drank cool wine, laughed and celebrated life. At some point, a young woman - a glass of water in her hand - said in the happy round:

“Do you know that for many people it is not taken for granted to drink clean water? We simply turn the tap on and run as much water as we want. I think we have to deal more economically with this in the future, because water is becoming ever scarcer.”

This was the initial inspiration for us to think about ideas on how to efficiently water in everyday life.

A few months later, we developed the first prototypes of SANAGUA water taps, which went into production after successful tests, after a number of design and engineering studies. We are convinced that our water-saving solutions help to reduce water consumption drastically.

UNIQUE PRODUCTS



WALL & STAND MODEL

The environmentally friendly SANAGUA faucet technology is unique. It reduces water consumption by 90%. Splitting the water flow into millions of small water droplets leaves the spray angle and pressure large. This swiss spray technology guarantees hygienic absolute cleanliness when washing hands and feels very pleasant on the skin.

Both SANAGUA models with self-closing fittings are intended exclusively for commercial use. Ideal locations are public facilities, municipalities, schools, kindergartens, military buildings, restaurants, hotels and office / administration buildings.

Material: bronze, chrome plated

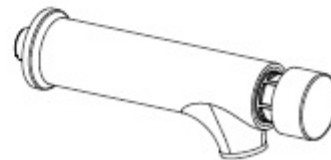
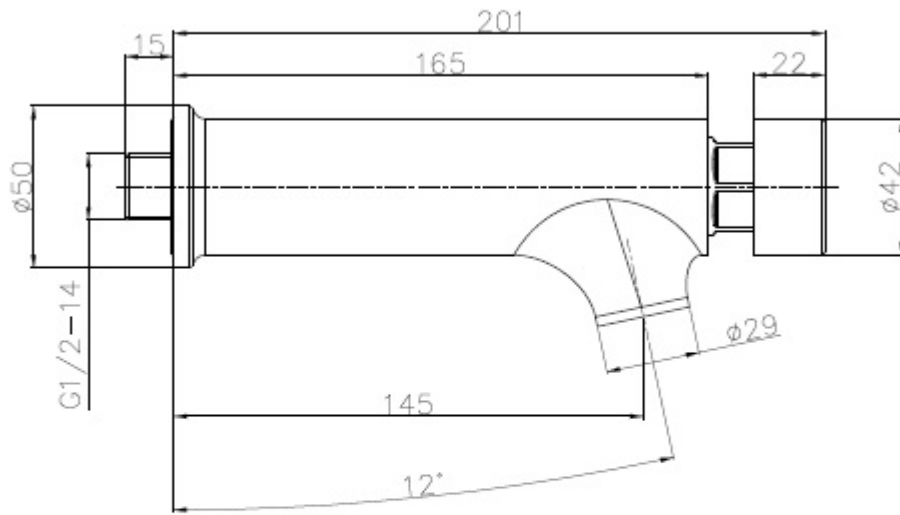
Flow: 0.6 - 0.7 liters per minute at 2 bar

Connection: Can only be connected to cold water up to a maximum of 25 degrees

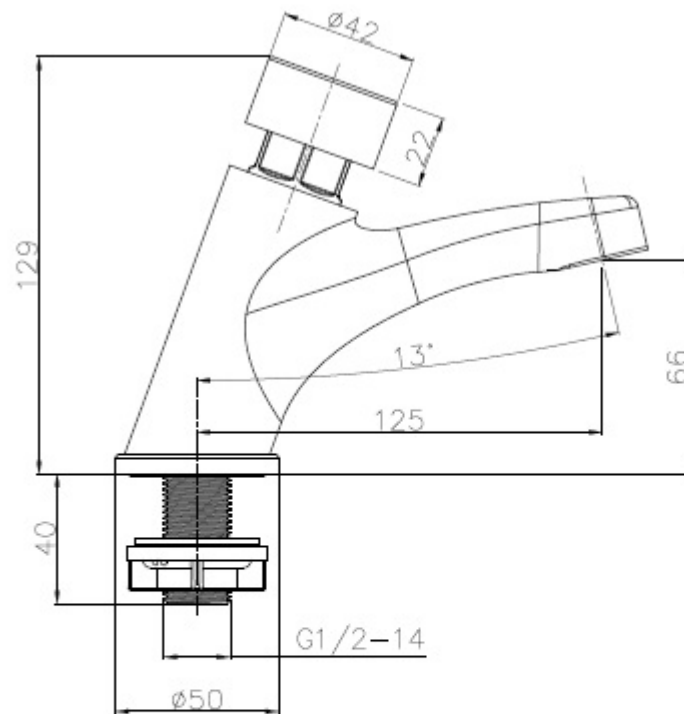
Operation: By push of a button, water jet ends after 15 seconds

Certification: CE Europe Basic, EN 816 :1996

WALL MODEL:



STAND MODEL:



Partenaire SANAGUA pour la France :

EcoGénial

Tel: +33 (0)3 88 31 57 54

Mob: +33 (0)6 11 69 91 06

Mail: contact@ecogenial.fr

Web: www.ecogenial.fr

ECO  ÉNIAL



SANAGUA
we save water

C/O F. Monn, Finanz & Marketing, Quaderstrasse 16, CH 7000 Chur www.sanagua.com